

Modular Cooking Range Line EVO700 2 Hot Plate Electric Induction Cooking Top Range

ITEM # _____

MODEL # _____

NAME # _____

SIS # _____

AIA # _____



372020 (Z7INED2000)

2-zone (3,5 kW each) electric
induction cooking top

372131 (Z7INED200N)

2-zone (3,5 kW each) electric
induction cooking top

Short Form Specification

Item No. _____

6 mm thick glass ceramic cooking surface with 2 independently controlled 3.5 kW induction zones. Induction top surface with seamless transition between individual heating zones. Exterior panels in stainless steel with Scotch Brite finish. One piece pressed work top in 1.5 mm thick stainless steel. Right-angled side edges to allow flush-fitting junction between units.

Main Features

- 6mm glass ceramic cooking surface with 2 independently controlled induction zones with a power of 3.5 kW per zone.
- Almost the entire surface of the ceramic plate can be used without "dead" spots.
- Indicating lamp for each zone located on control console.
- Induction plates endowed with overheating safety device.
- Power to the individual zones can be set with progressive output i.e. fine regulation at the lower and larger progress at the upper levels.
- Low heat dissipation to the kitchen.
- The smooth, glass ceramic plate is not directly heated, so there is no burning on cooking surface.
- IPx4 water protection.
- Pots diameter to be used : min 12cm, max 28 cm in order to obtain maximum heating efficiency.
- Suitable for countertop installation.

Construction

- All exterior panels in Stainless Steel with Scotch Brite finishing.
- One piece pressed 1.5 mm work top in Stainless steel.
- Model has right-angled side edges to allow flush fitting joints between units, eliminating gaps and possible dirt traps.

Sustainability

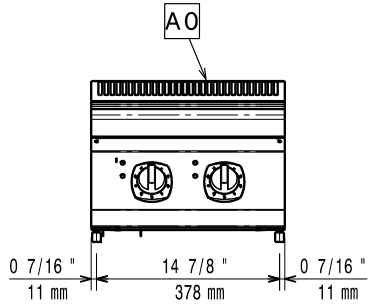
- This model is compliant with Swiss Energy Efficiency Ordinance (730.02).

APPROVAL: _____

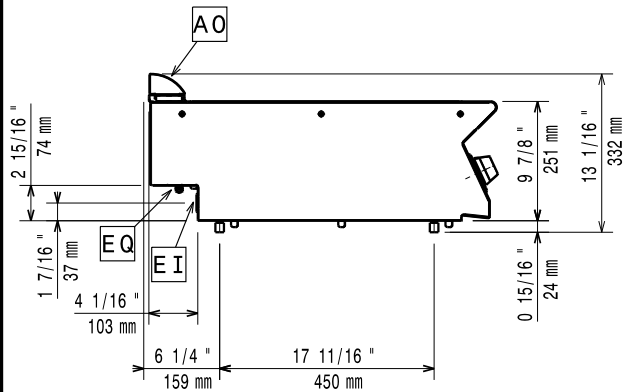
Optional Accessories

- Support for bridge type installation, 800 mm (only for 372020) PNC 206137
- Support for bridge type installation, 1000 mm (only for 372020) PNC 206138
- Support for bridge type installation, 1200 mm (only for 372020) PNC 206139
- Support for bridge type installation, 1400 mm (only for 372020) PNC 206140
- Support for bridge type installation, 1600 mm (only for 372020) PNC 206141
- Support for bridge type installation, 400 mm (only for 372020) PNC 206154
- Water column extension (only for 372020) PNC 206291
- Chimney upstand, 400 mm (only for 372020) PNC 206303
- 2 side covering panels, height 250 mm, depth 700 mm (only for 372020) PNC 206320
- Chimney grid net, 400mm (only for 372020) PNC 206400
- Stainless steel universal frying pan with stainless steel handle (diam. 200 mm) suitable for induction and all other heating sources (only for 372020) PNC 653596
- Universal frying pan with stainless steel handle (diam. 240 mm) suitable for induction and all other heating sources (only for 372020) PNC 653597
- Universal frying pan with stainless steel handle (diam. 280 mm) suitable for induction and all other heating sources (only for 372020) PNC 653598

Front

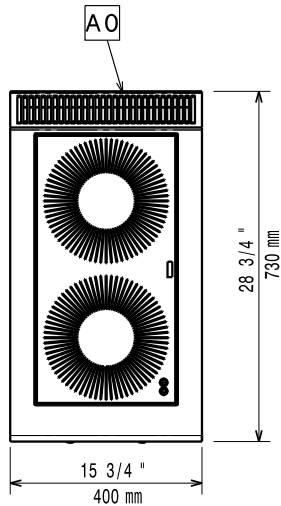


Side



EI = Electrical inlet (power)
EQ = Equipotential screw

Top



Electric

Supply voltage:

372020 (Z7INED2000)	380-415 V/3 ph/50/60 Hz
372131 (Z7INED200N)	230 V/3 ph/50/60 Hz

Predisposed for:

372020 (Z7INED2000)	380-415V 3~ 50/60Hz 7kW
----------------------------	-------------------------

Total Watts:

7 kW

Key Information:

If appliance is set up or next to or against temperature sensitive furniture or similar, a safety gap of approximately 150 mm should be maintained or some form of heat insulation fitted.

Induction compatible pots & pans must be used.

Net weight: 30 kg

Shipping weight:

372020 (Z7INED2000)	38 kg
372131 (Z7INED200N)	39 kg

Shipping height:

372020 (Z7INED2000)	530 mm
372131 (Z7INED200N)	540 mm

Shipping width:

460 mm

Shipping depth:

820 mm

Shipping volume:

0.2 m³

Certification group:

372020 (Z7INED2000)	IH720
372131 (Z7INED200N)	NIN47F

Induction Top Dimensions (width):

Induction Top Dimensions (depth):

400 mm
700 mm